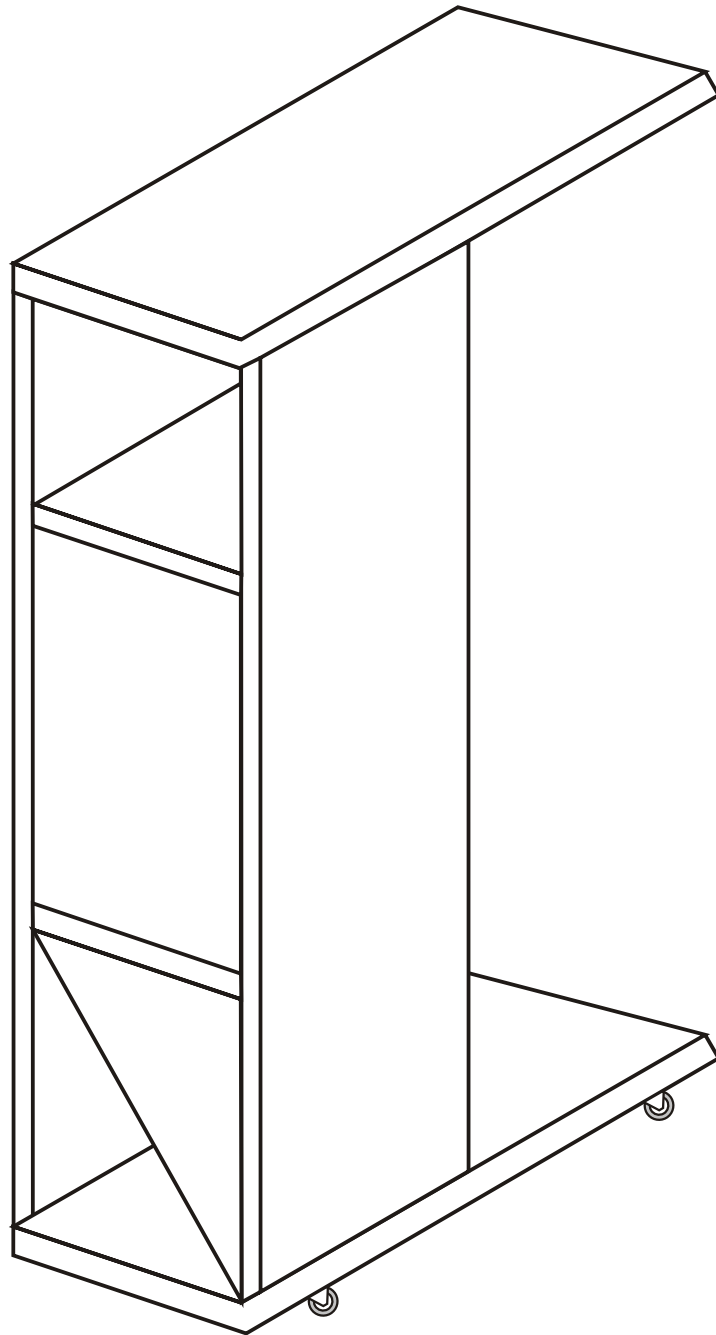


FILINTA SEHPA

Assembly Manual







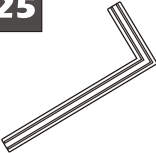


KALUNE DESIGN
furniture

FILINTA SEHPA

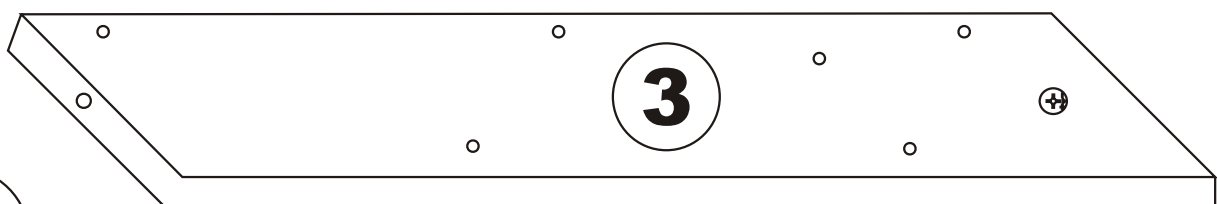
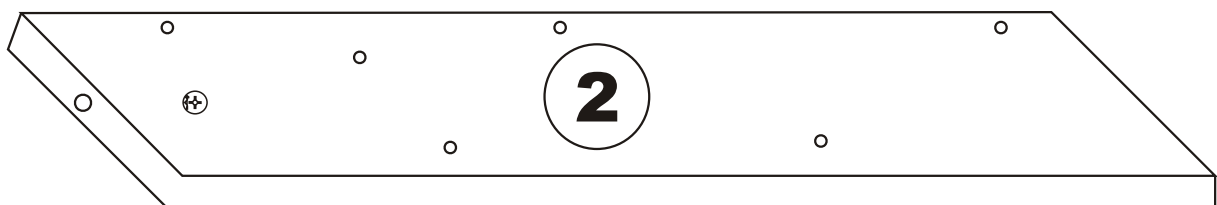
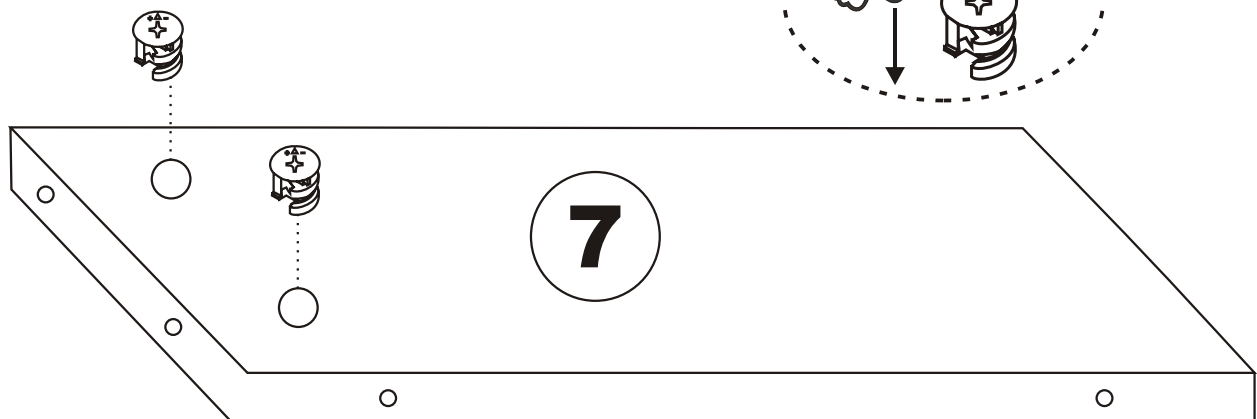
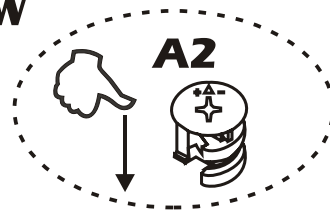
ATTENTION !!

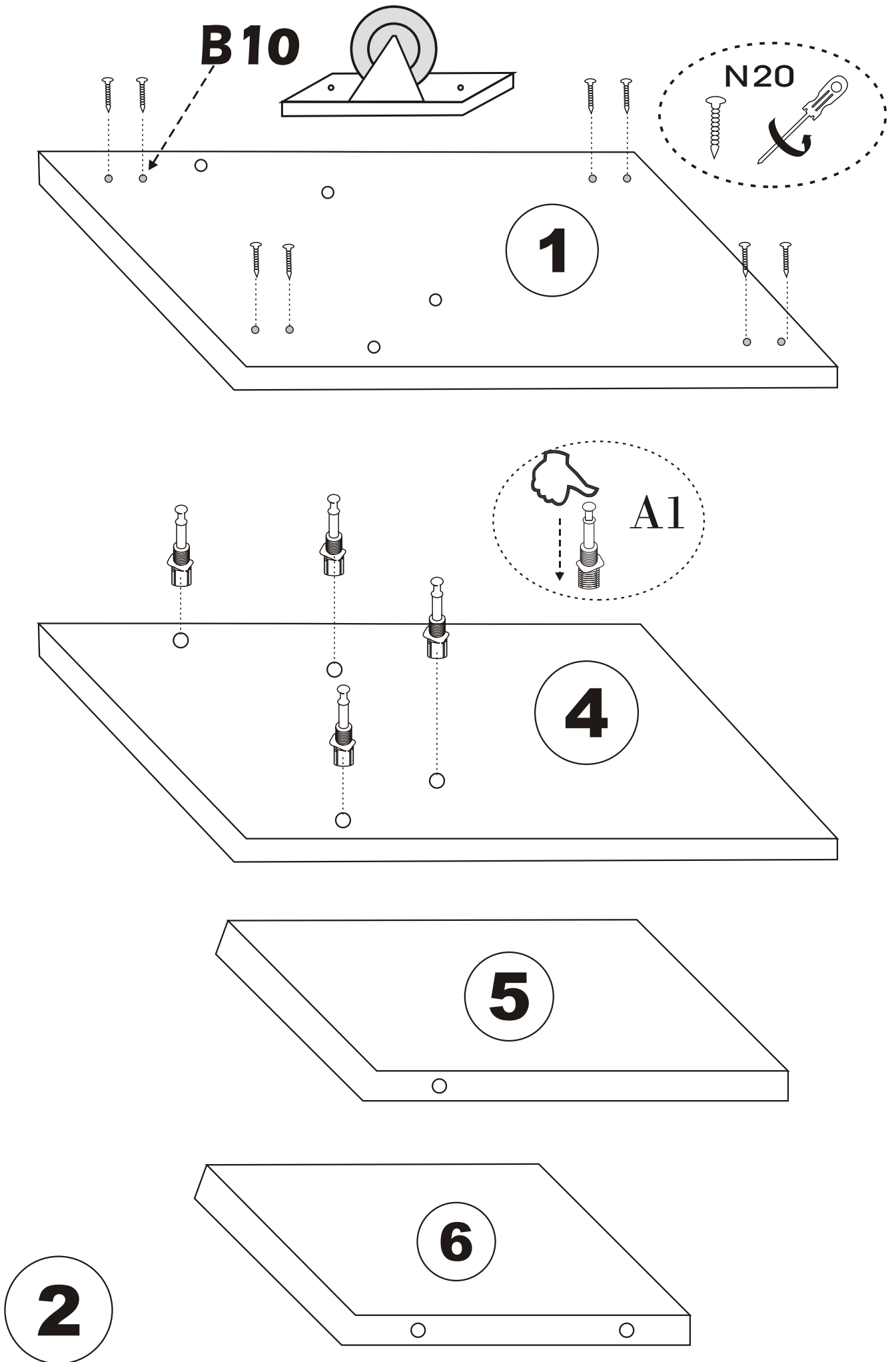
Minifix is the main connection material used in Decortile products ,
Before starting assembly , Please check the drawings below

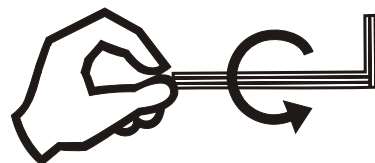
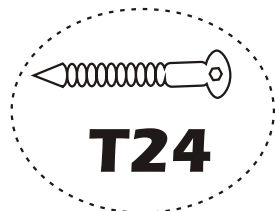
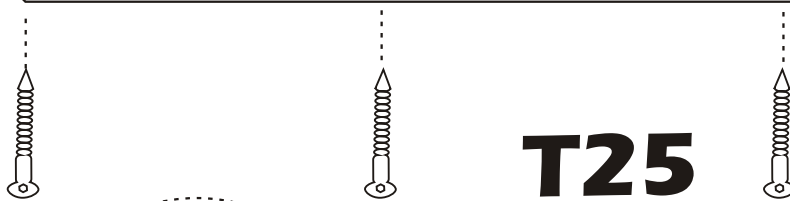
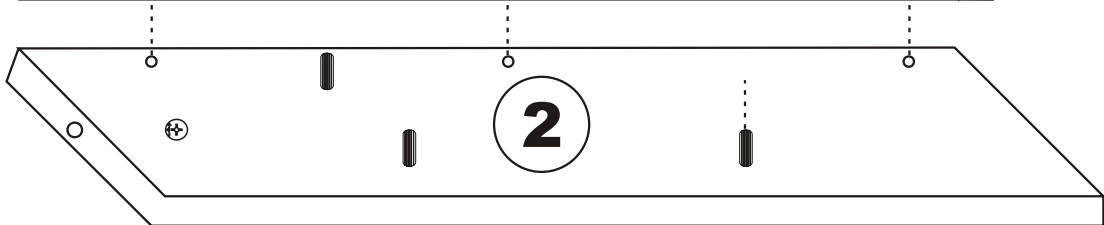
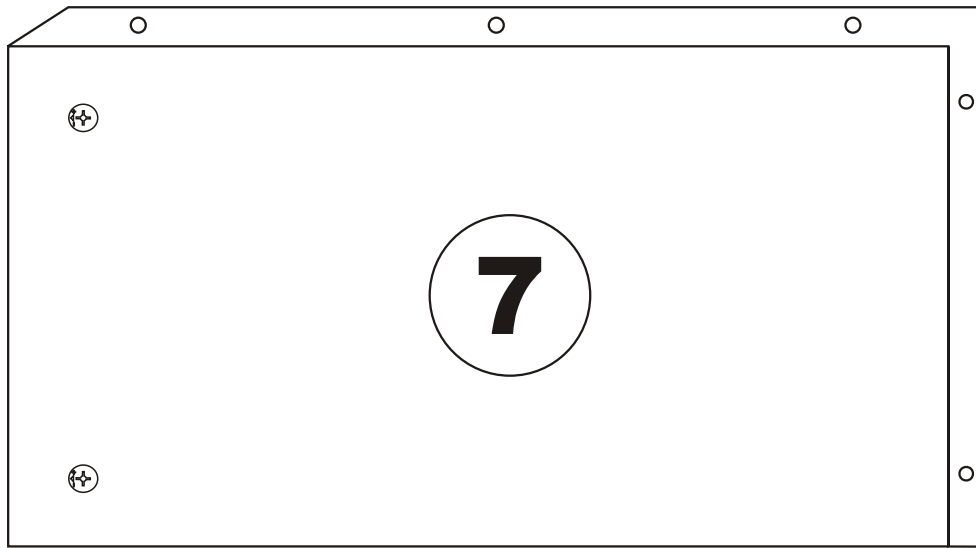
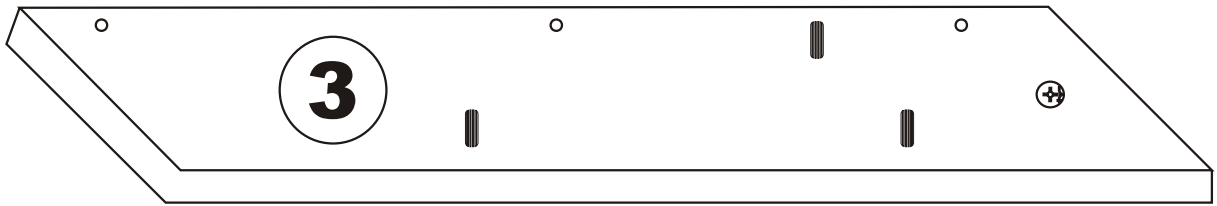
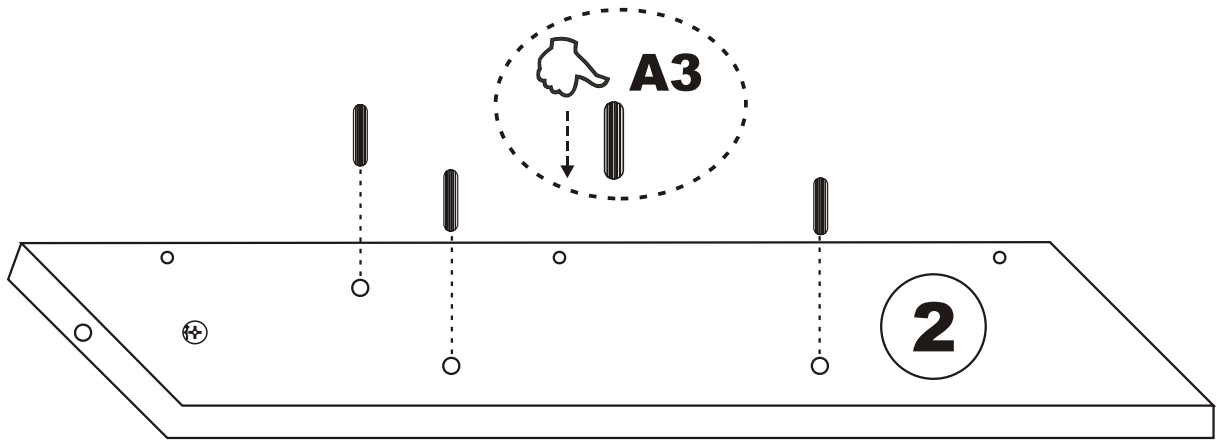
Accessory List

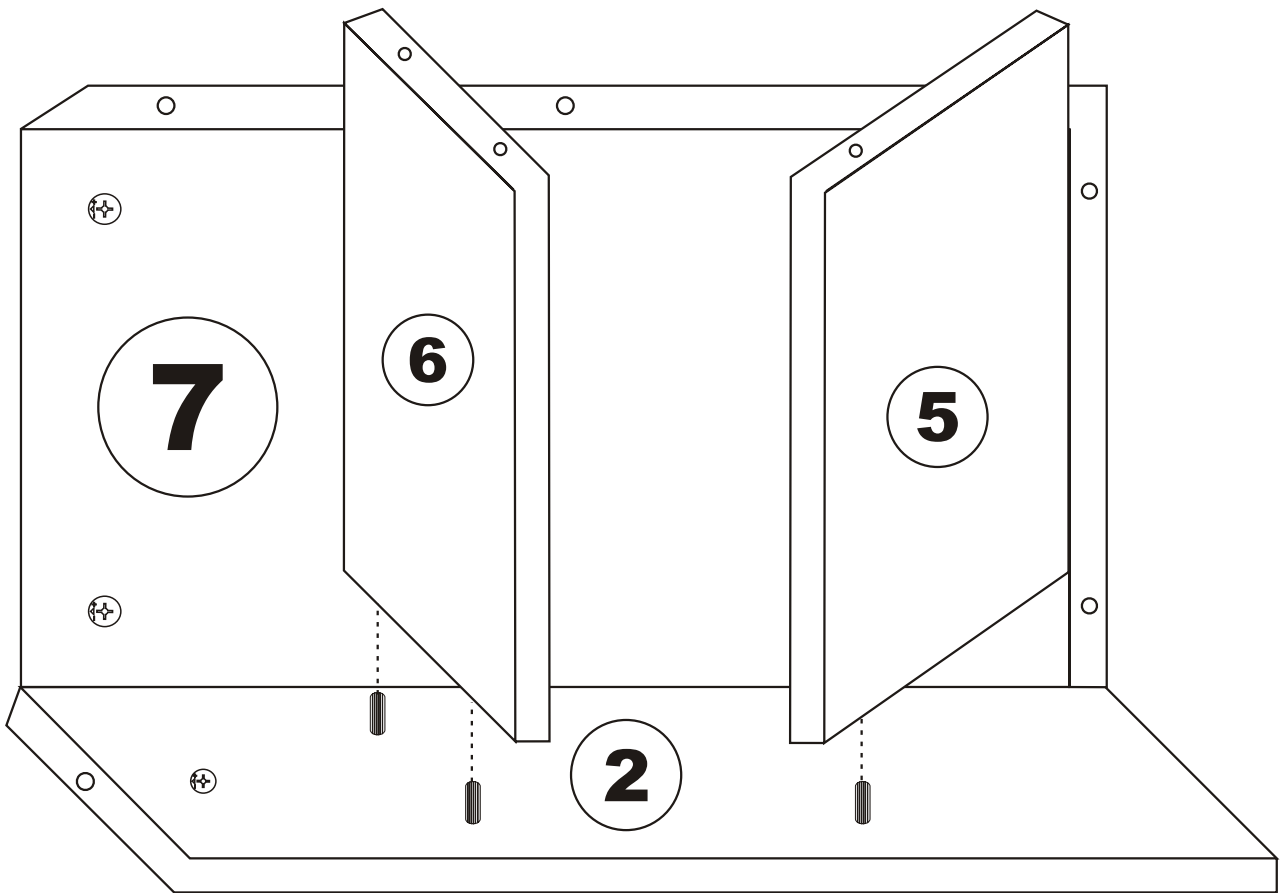
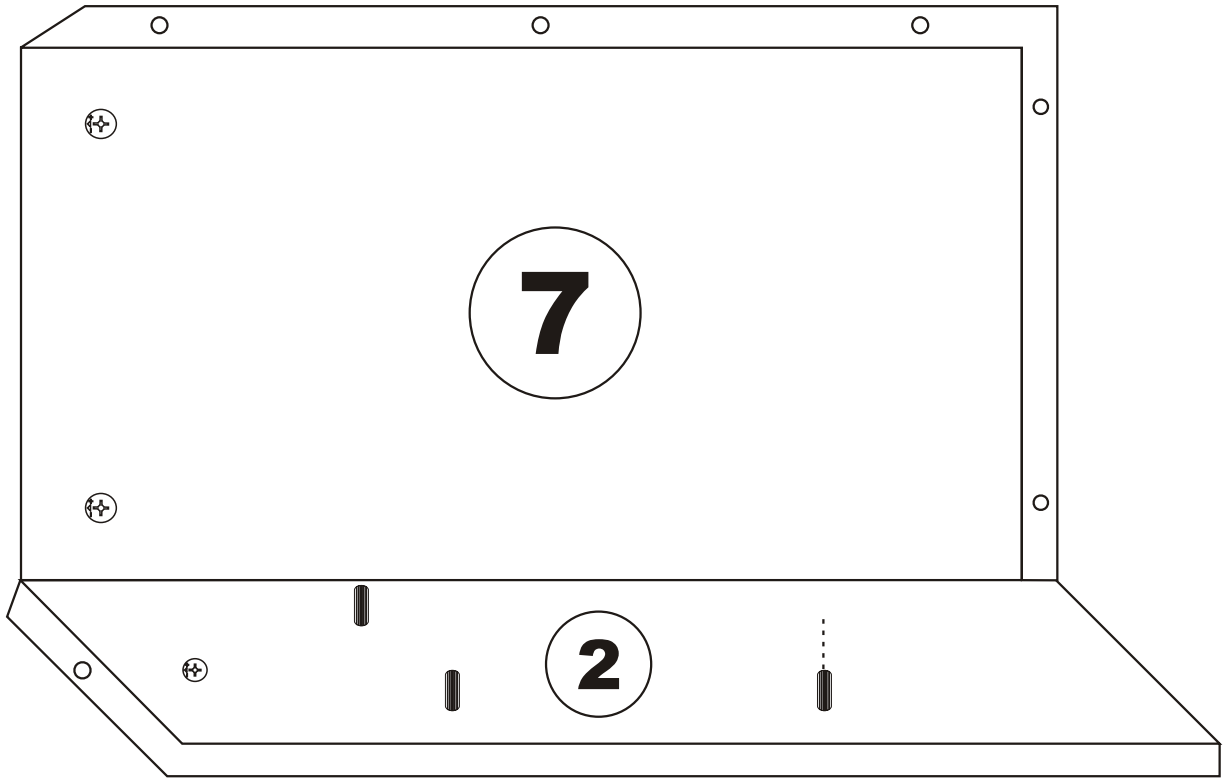
B10  4 X	A1  4 X	A2  4 X	T24  10X
T25  1X	A3  6X		N20  8X

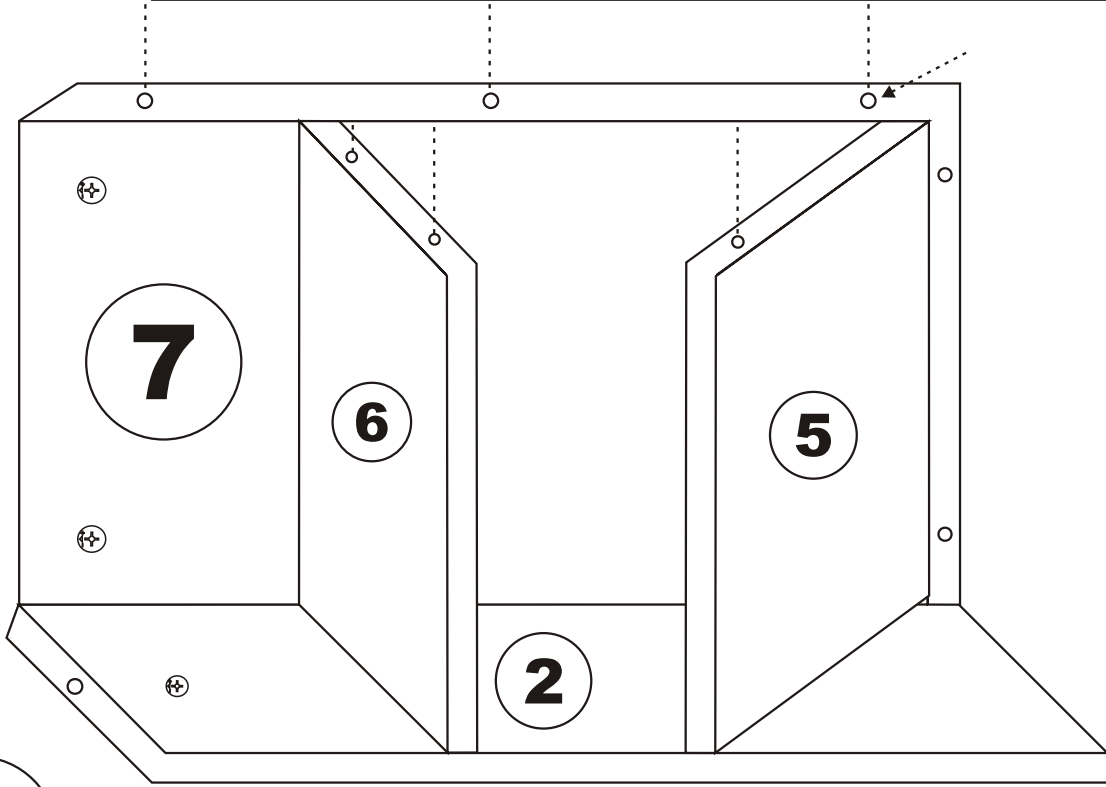
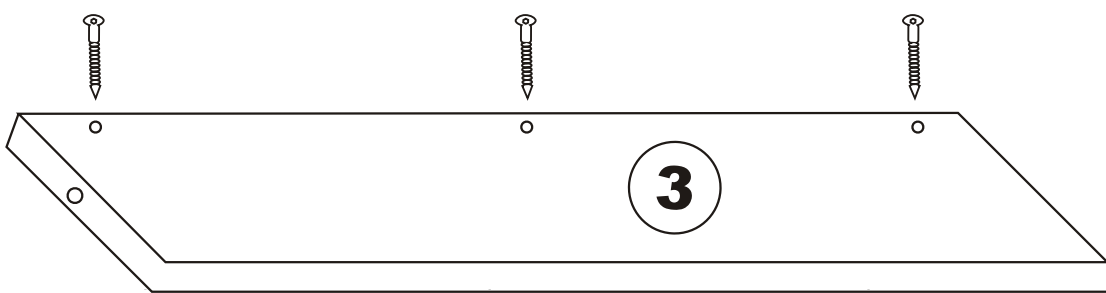
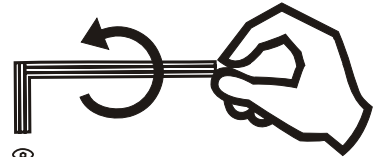
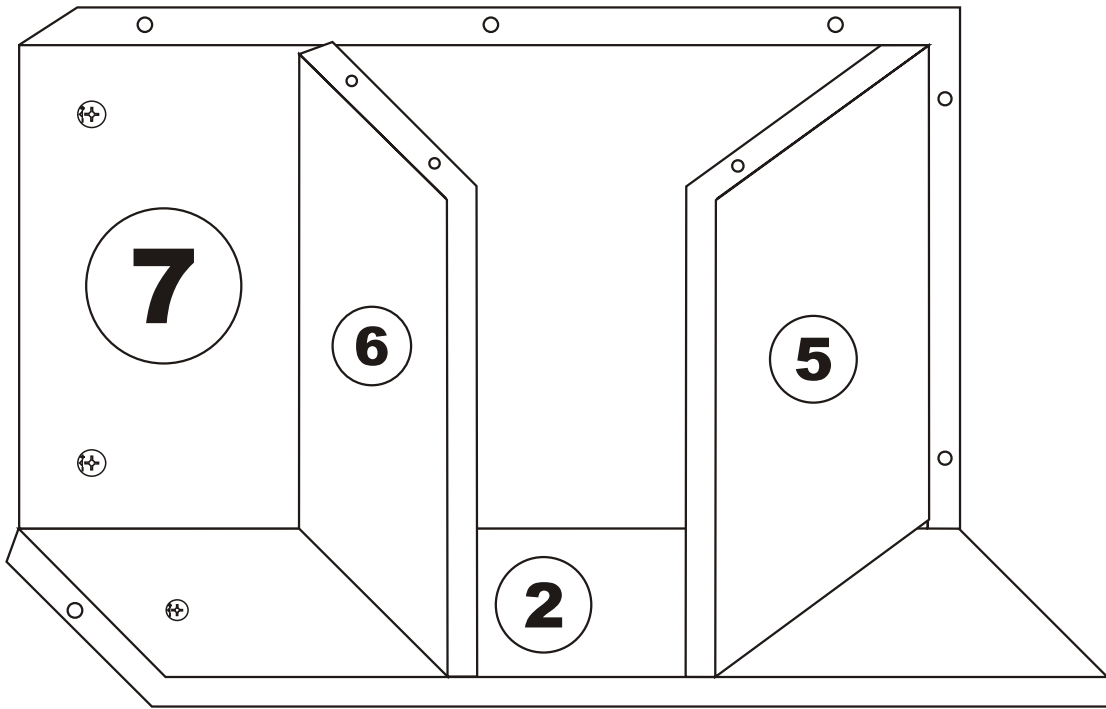
GENERAL VIEW



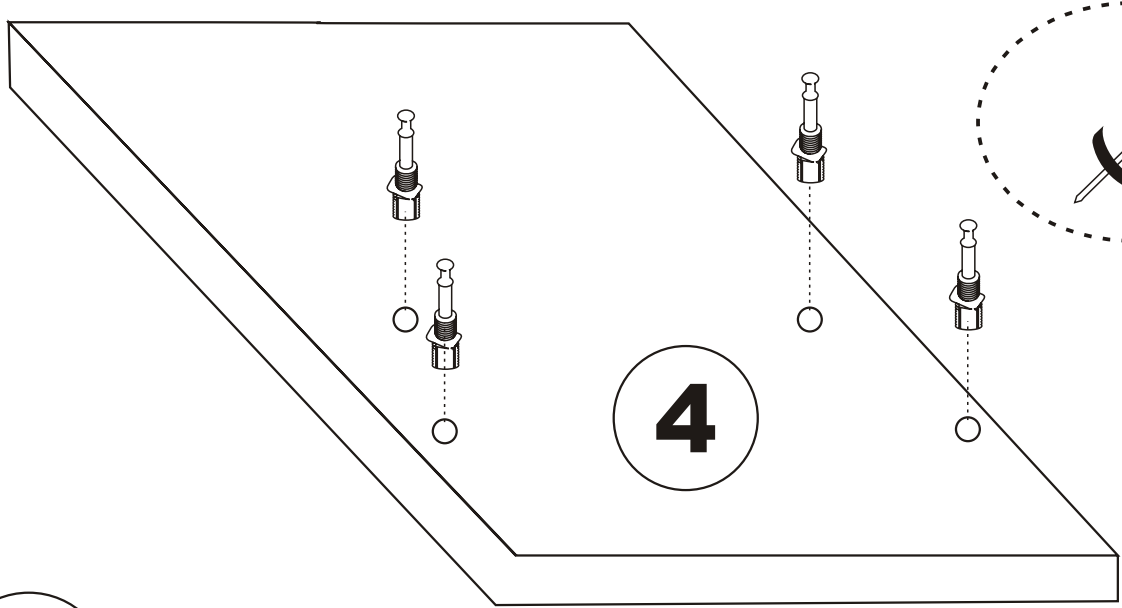
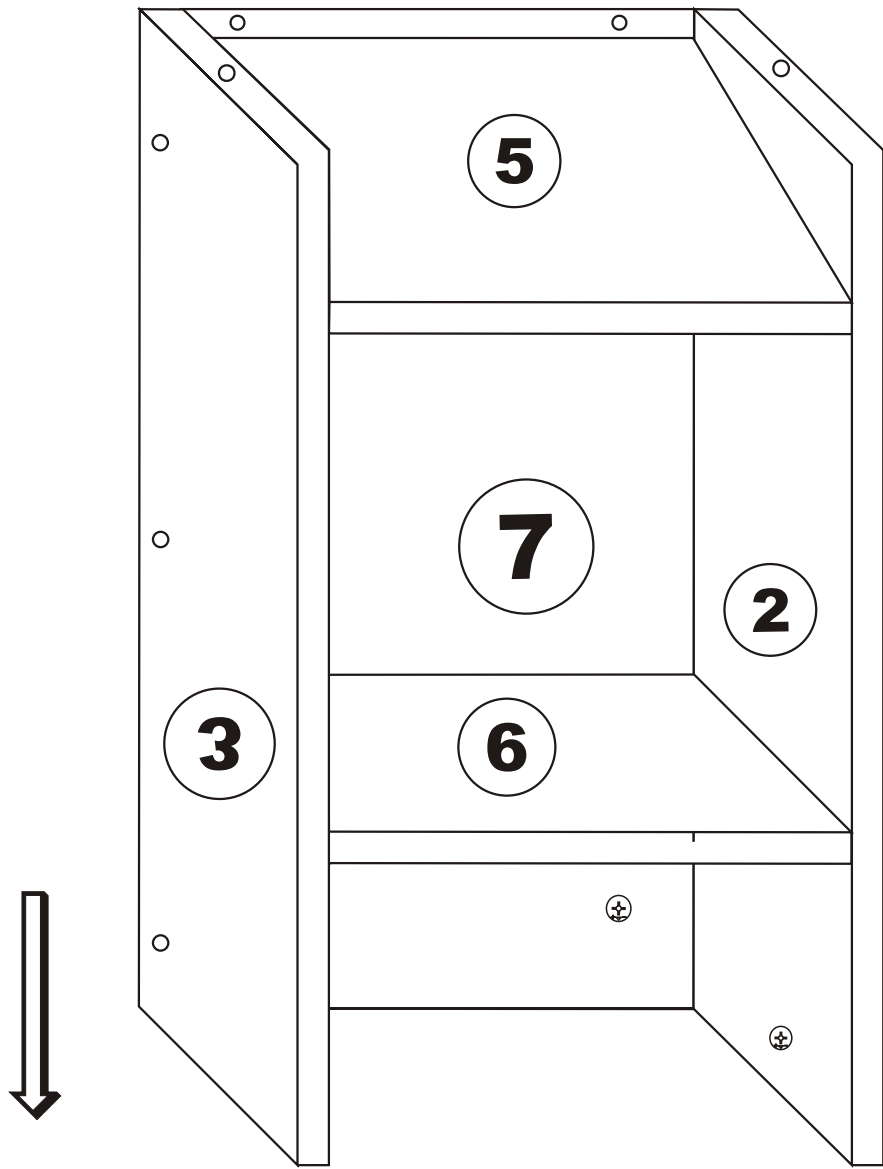




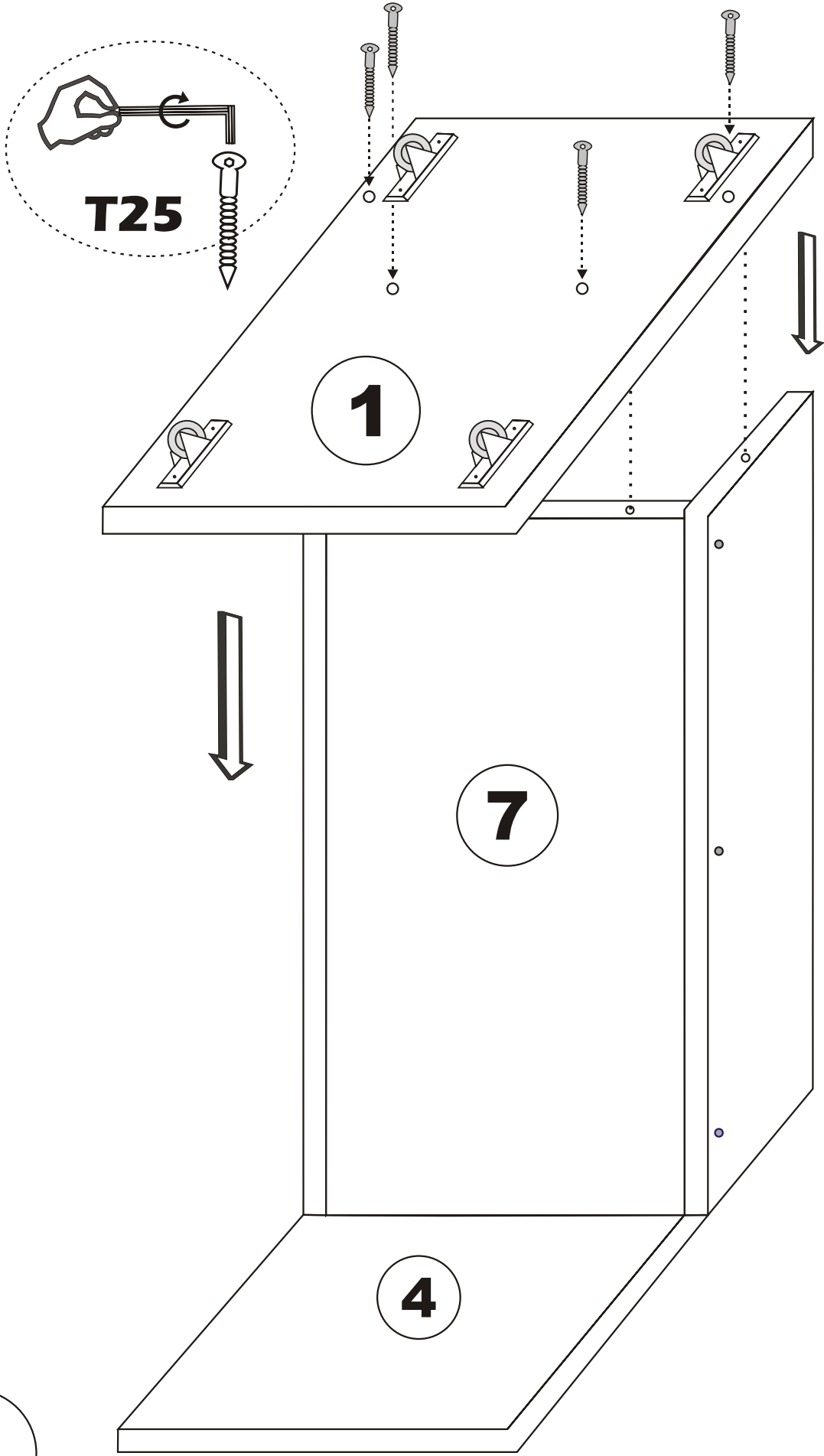




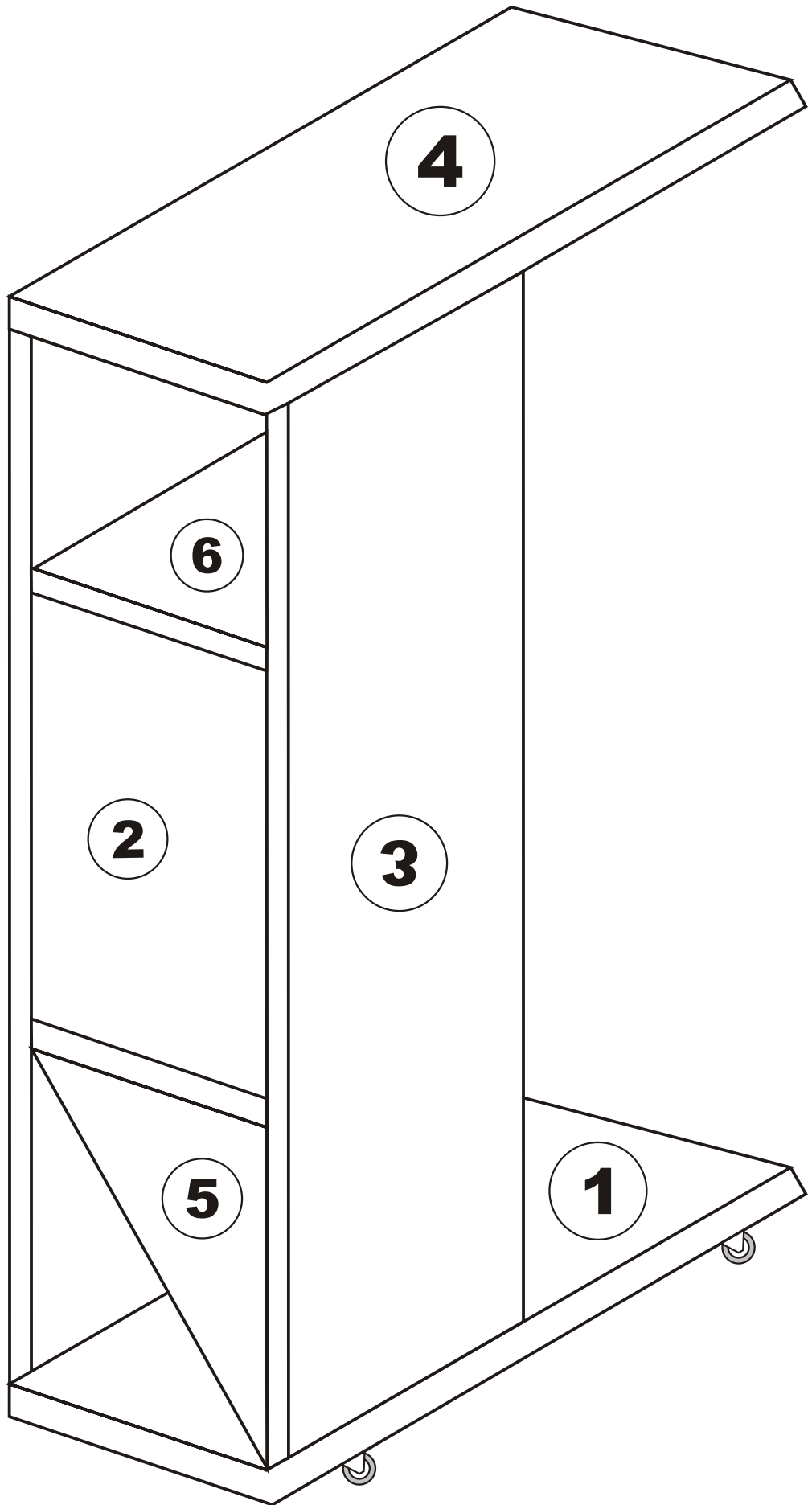
5



6



7



8